

SEW GREEN

ELECTRONIC SERVO MOTOR

This newly designed type of servo motor was specially conceived to replace your older industrial.

Clutch motor. It is simple to use and highly energy efficient.

- Easily adjust motor speed by using the built-in adjustable speed control knob
- Save up to 70% electricity when comparing to equivalent power clutch motor
- Smaller and more lightweight than comparable clutch motor
- Smooth and quiet operation makes this servo motor virtually noiseless
- Wide application including high or low speed industrial sewing machines

Technical Parameters

- FL-550 ,110V,60Hz, 0-3450 RPM, 550W

WARNING

When using any tools and equipment, basic safety precautions should always be followed to reduce risk of personal injury and damage to equipment.

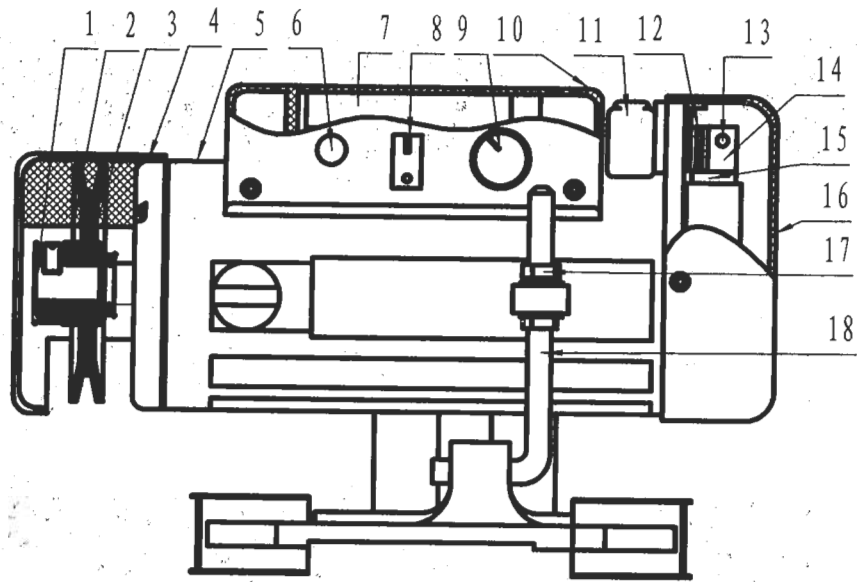
- Before use the machine, Please check the voltage is same as currency voltage.
- When installing the motor, please insure unit is in the OFF position
- Insure motor is only connected to an electrical socket of the correct voltage
- Motor should only be opened , repaired or serviced by qualified technician
- Using the adjustable screw to fine tune the startup time delay
- Slightly lubricate speed adjusting arm after extended use
- Keep motor in a safe and dry place when motor is not in use
- Keep body away from moving parts when motor is in operation
- Keep motor away from children

INSTALLATION/OPERATION

- Mount the motor directly to the table using the supplied mounting Bolts
- Connect pedal to the speed adjusting arm using the speed control rod at a straight line
- Connect to the appropriate electrical outlet. Select rotation whit rotation speed on motor .

*Keystone Sewing Machine Co.
833 N. 2nd Street
Philadelphia, PA 19123
(215) 922-6900*

SEW GREEN ELECTRONIC SERVO MOTOR



- | | | |
|-------------------------|-----------------------|-----------------------|
| 1-Shaft | 14-Brake Arm of Force | 27-Bearing |
| 2-Nut | 15-Brake Cork | 28-Fan Blade |
| 3-Motor Pulley | 16-Back Cover | 29-Carbon Brush |
| 4-Front Cover | 17-Nut | 30-Brush Holder |
| 5-Motor Casing | 18-L Shape Tilt Bolt | 31-Brush Holder Cover |
| 6-Motor Fuse | 19-Light Socket | 32-Magnetic Block |
| 7-Electronic Controller | 20-Terminal Wire | 33-Rotor |
| 8-On/Off Power Switch | 21-Electrical Wire | 34-End Cover |
| 9-Speed Adjustment Knob | 22-Rotation Switch | 35-Brake Pulley |
| 10-Control Box Cover | 23-Column Pin | 36-Boit |
| 11-Speed Adjusting Arm | 24-Lock Washer | 37-Key |
| 12-Spring | 25-Mounting Bracket | 38-Belt Cover |
| 13-Pin | 26-Rubber Feet | 39-Wind Shield |

